



Netti Dynamic System – Gas cylinder for FREE solution 2016

The following pages illustrates the different back support angles and how to adjust it when working with the new NDS-FREE gas cylinder.

A description on how to adjust the Free-gas cylinder is found under the individual chair model.



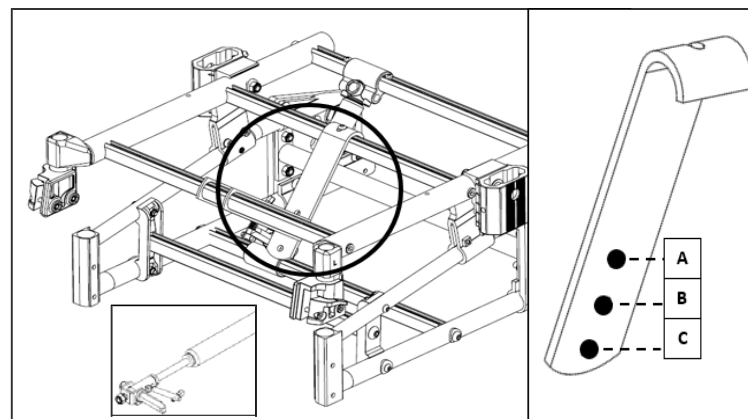
It contains also a short description how to adjust the FREE-Gas cylinder at the front and back part of the frame for CED and BASE.

For Netti III and Netti Mobile it is only to adjust the Gas cylinder at the front part.

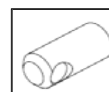
1. Netti III - Cylinder adjustment in the front of the chair
2. CED and BASE - Cylinder adjustment in the front and back of the chair -
3. Netti Mobile - Cylinder adjustment in the front of the chair

Be aware that a shorter seat depth require a short NDS-Seat plate.

Adjusted set depth at back hinge	Front gas cylinder attachment (A - B - C)	Cylinder head short - 38 mm - Item 20383	Cylinder head long - 96 mm - Item 21888	Starting angle
40	B	X		91 °
40	C	X		101 °
40	A	X		Not possible
42,5	A	X		92 °
42,5	C		X	85 °
42,5	B	X		101 °
42,5	C	X		Not possible
42,5	A		X	Not possible
42,5	B		X	Not possible
45	C		X	95 °
45	B		X	85 °
45	A	X		103 °
45	B	X		Not possible
45	C	X		Not possible
45	A		X	Not possible
47,5	A		X	87 °
47,5	B		X	97 °
47,5	C		X	107 °
47,5	A	X		Not possible
47,5	B	X		Not possible
47,5	C	X		Not possible
50	A		X	98 °
50	B		X	108 °
50	C		X	Not possible



Gas cylinder attachment at front (A - B - C)



Short cylinder head - 38 mm

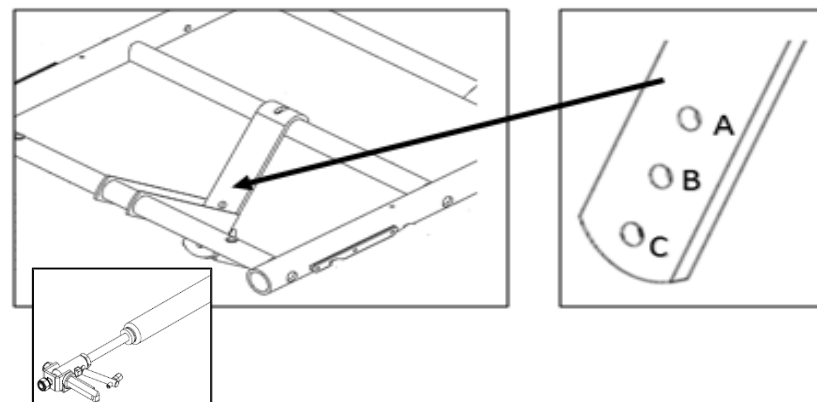


Long cylinder head - 96 mm

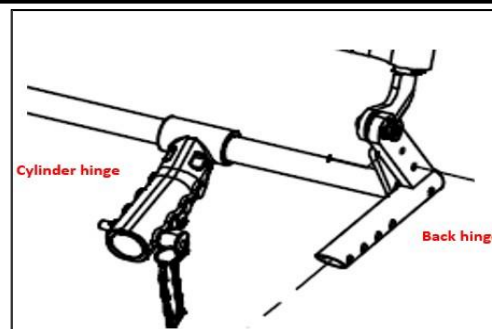
Using instruction of this table:

Green = Standard adjustment for the chosen seat depth	Green line shows the standard setting.
Yellow= Alternative adjustment with lower starting angle	Yellow line shows the alternative setting. This adjustment you can use if you need a closer starting angle.
Blue = Alternative adjustment with higher starting angle	The blue line shows the possibility to adjust the setting to a more open angle, which can be used for users having a locked hip joint.

Adjusted set depth at back hinge	Front gas cylinder attachment must always be in the middle hole = B (see drawing)	Adjusted seat depth at cylinder hinge	Starting angle
42,5	B	42,5	92°
42,5	B	45	83°
42,5	B	47,5	not possible
42,5	B	50	not possible
45	B	45	92°
45	B	47,5	83°
45	B	42,5	104°
45	B	50	not possible
47,5	B	47,5	92°
47,5	B	50	83°
47,5	B	45	104°
47,5	B	42,5	not possible
50	B	50	92°
50	B	47,5	104°
50	B	42,5	not possible
50	B	45	not possible



Gas cylinder attachment at front (A - B - C)



When working with a CED/S (SD 37,5 to 45 cm) you can follow the same scheme

Using instruction of this table:

Green = Standard adjustment for the chosen seat depth	Green line shows the standard setting when the adjustment of the cylinder hinge goes align with the adjustment of the back hinge. At the cylinder hinge you will find marks for the seat depth.
Yellow = Alternative adjustment with lower starting angle	Yellow line shows the alternative setting when the cylinder hinge is adjusted to the next higher seat depth. This adjustment you can use if you need a closer starting angle.
Blue = Alternative adjustment with higher starting angle	The blue line shows the possibility to adjust the setting to a more open angle, which can be used for users having a locked hip joint. The cylinder hinge is adjusted to the next lower seat depth.

Seat depth in cm	Item 80172 - mounting direction	Position of 80172 at bracket at seat frame	Locking head medium - 82 mm - Item 23880	Starting angle	Angle range	Seat Type
40,00	opposite	C + D	23880	92°	40°	short
42,50	standard	E + F	23880	92°	40°	short
45,00	standard	D + E	23880	92°	40°	short
47,50	standard	C + D	23880	92°	40°	long
50,00	standard	B + C	23880	92°	40°	long

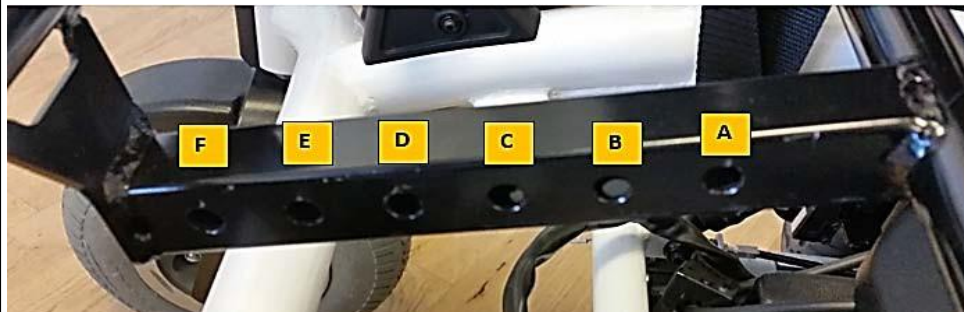
80172 - Standard mounting direction for SD 42,5 - 50,0 cm



80172 - **Opposite** mounting direction only für SD 40,0 cm



Holes A - F to position 80172 at seat frame bracket



A + B = 50,0 cm

B + C = 47,5 cm

C + D = 45,0 cm

D + E = 42,5 cm

E + F = 40,0 cm - only one SD with opposite mounted 80172